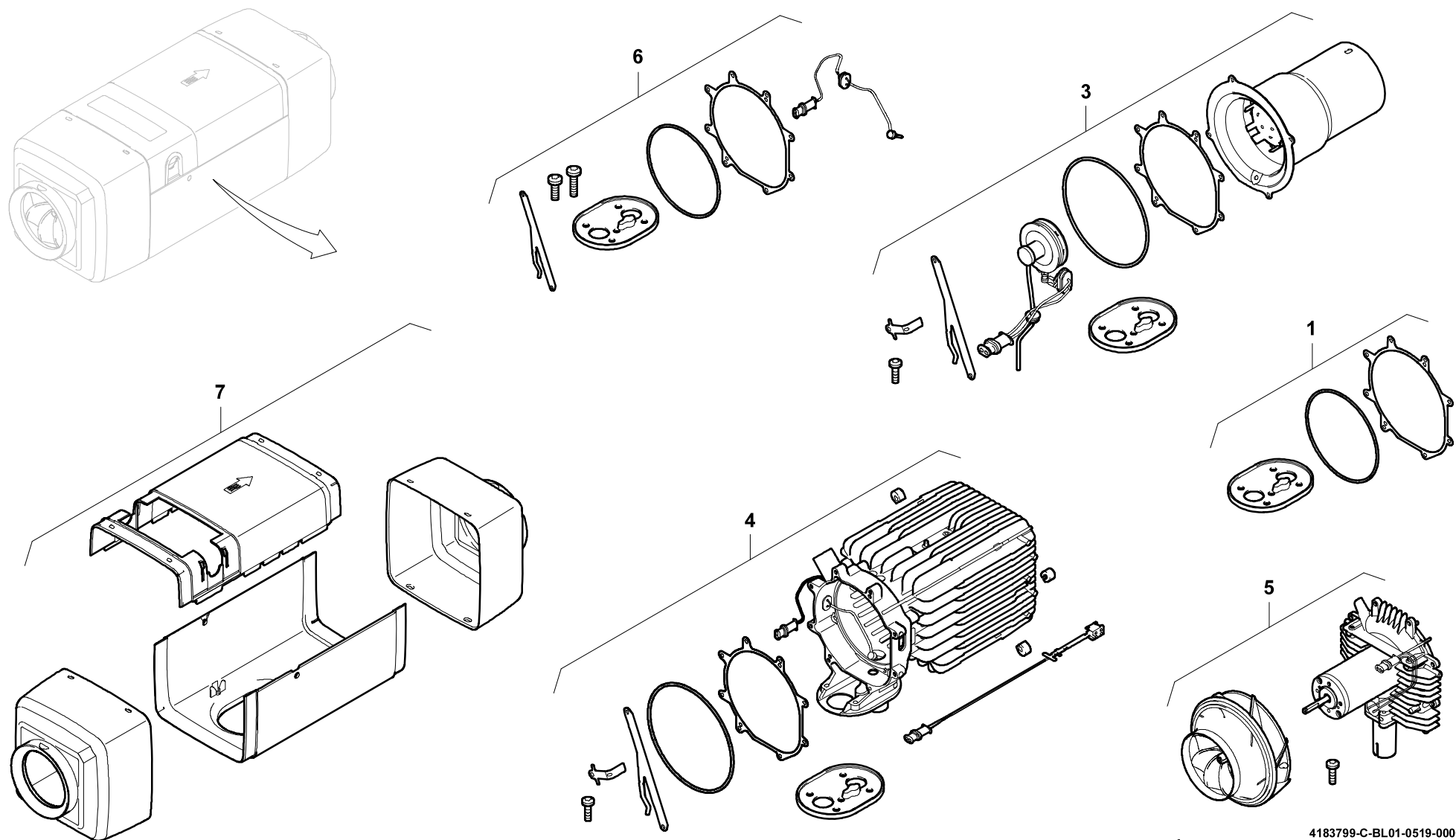


**GROVE**LUFTHEIZGERÄT  
AIR HEATING APPLIANCEBILDТАFEL  
PICTORIAL DISPLAYGMK 3060-2  
CAB 2020

05.19

4183799-ETL C

1/1



4183799-C-BL01-0519-0000